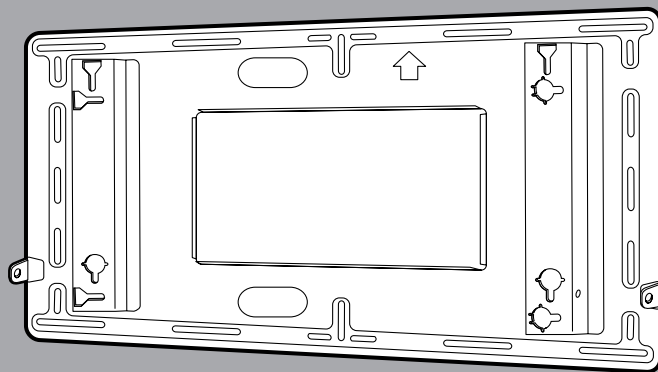


PWK-150

WALL MOUNTING UNIT

Installation Instructions

Before attempting to assemble these accessories, please read these instructions completely.
Please retain this book for future reference.



Installationsanleitung

Vor der Installation lesen Sie bitte diese Anleitung sorgfältig durch. Diese Anleitung zum späteren Nachschlagen aufbewahren.

Istruzioni per l'installazione

Prima di iniziare a montare questi accessori, siete pregati di leggere interamente le presenti istruzioni. Siete inoltre pregati di conservare questo libro per future consultazioni.

Manuel d'installation

Avant d'essayer d'assembler ces accessoires, veuillez lire ces instructions complètement.
Veuillez garder ce manuel pour une référence future.

Instrucciones de instalación

Antes de instalar estos accesorios, lea cuidadosamente estas instrucciones.
Guarde estas instrucciones para futuras referencias.

-
- Before installing the wall mounting unit, please read these instructions and the plasma display operation manual carefully to make sure installation is carried out correctly.
 - After installation, please hand these instructions to the customer and ask him to carefully read them and keep them for future reference. (The instructions may be needed again when moving or carrying out maintenance.)

Precautions with regard to setting up

WARNING

Installation work should only be carried out by a qualified technician.

- If the wall mounting unit is installed incorrectly, the display may fall down and personal injury may result.

Make sure that all safety factors regarding strength of installation are observed.

- If the installation strength is insufficient, the display may fall down and personal injury may result.

Do not install in places which are unable to bear loads.

- If the strength of the installation surface is insufficient, the display may fall down and personal injury may result.

CAUTION

Do not install in places which are subject to humidity, dust, oil fumes, water vapour or excessive heat.

- These can have adverse effects on wide plasma display operation, and fire or electric shocks may result.

Do not install the wide plasma display face up, sideways or upside down.

- Doing so may cause heat to build up inside the display, and fire may result.

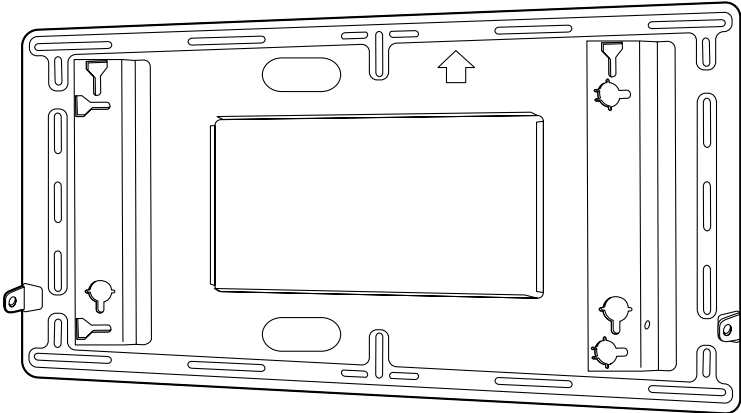


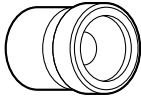

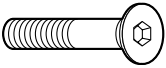
Two people are required to install and remove the display.

- If two people are not present, the display may be dropped, and personal injury may result.

Maintain a space of at least 10 cm (3 ¹⁵/₁₆ inches) at the top, bottom and sides of the display, and at least 1.9 cm (³/₄ inches) at the rear of the display.

- The display has air outlet holes at the top and air intake holes at the bottom and rear. These holes must not be covered, otherwise fire may result.

Components

Wall mounting unit.....1 		Allen key (accessory)1 
		M5 screw2  (Fixing screw)
Insulating spacer4 	Toothed pan washer4 	Pan head bolt with hex socket (M8-45)4 

Points to note for installation

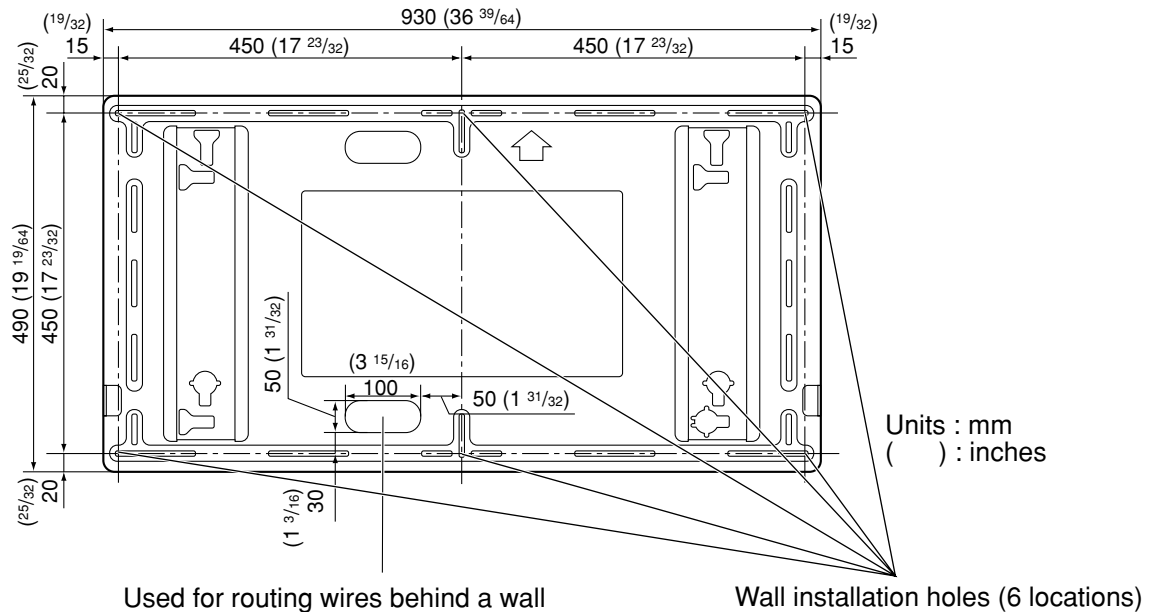
- The wall mounting unit is for use in installing the wide plasma display to a vertical wall for viewing purposes. Do not use it for any type of installation other than vertical wall installation.
- In order to ensure correct, problem-free operation of the wide plasma display, do not install the display in any of the following places.
 - Places which are next to sprinklers or sensors
 - Places which are subject to vibration or shocks
 - Places which are close to high-voltage wires or electric motors
 - Places in direct contact with air from heaters
- When installing this wall mounting unit, use a fixing method appropriate to the type of wall.
- Use an M6 bolt (sold separately) appropriate for the type of wall material (wood, steel frame, concrete, etc.) the bracket is to be mounted on.
- Insert the power cord plug for the wide plasma display into a wall outlet which is close and easily accessible.
- Provide adequate ventilation so that the temperature around the display does not rise above 40°C (104 F°). If there is insufficient movement of the air inside display, heat may build up inside the display, and fire may result.

Installation procedure

1. Check the strength of the installation location.

The wall mounting unit weighs approximately 6 kg (13.23 lbs.), and the wide plasma display unit weighs approximately 43 kg (94.8 lbs.).

While referring to the wall mounting unit installation dimensions in the diagram below, check the strength of the wall in six installation locations, and add reinforcing if any of these locations are not strong enough.



Note

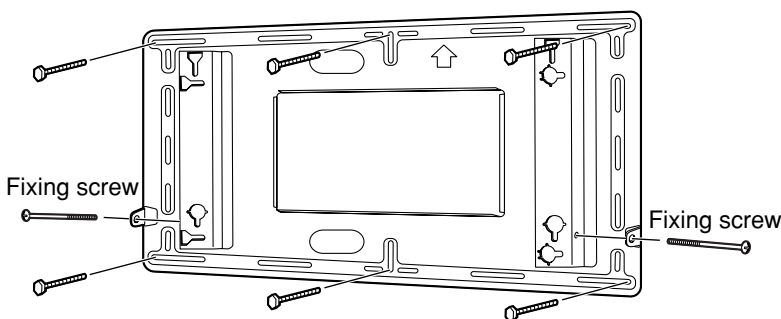
- The wall mounting unit has installation holes provided in 24 locations. If the wall material will not allow sufficient strength to be obtained from using six installation holes, use some of the spare holes. However, depending on the construction material used at the place of installation, cracks may develop if the screws are inserted too close to each other.

2. Install the wall mounting unit to the wall.

- Install the wall mounting unit so that the arrow shown on the wall mounting unit is pointing upwards.
- If it is necessary to embed bolts or nuts beforehand because the wall is made from concrete, use the wall mounting unit itself to determine the correct installation hole positions, or use the dimension diagram to calculate the hole positions. Then embed the M6 bolts or nuts into the holes. Furthermore, when embedding the bolts, allow the bolts to protrude from the wall by 10 mm ($13/32$ inches) to 15 mm ($19/32$ inches).

Installation procedure

- First screw a bolt into the center-top hole.
- Use a level gauge to correct the alignment of the wall mounting unit, and then screw bolts into the remaining five holes.
- Provisionally tighten the fixing screws. If the screws are inserted more than 5 mm ($13/64$ inches), it will not be possible to install the wide plasma display in the correct position.



Note

- Use commercially-available M6 bolts which suit the wall materials for installation to the wall.

